

HYDRAULIC DIRECTIONAL CONTROL VALVES



Description

For starting, controlling and stopping the working fluid between the generator of pressured flow, the consumers and the Tank.

Specifications

1. Valve monoblock	
2. Mounting	3 bolts M10
3. Pressure connections	internal thread
4. Ambient temperature	-40C...+60C
5. Pressure medium	mineral oil based hydraulic oil
6. Viskosity	12... 800 mm ² /s permissible range 20... 100 mm ² /s recommended range
7. Fluid temperature	- 15C...+80C
8. Filtration	Oil contamination 10 to NAS1638
9. Max. operating pressure	P = 250 bar T = 50 bar A, B = 300 bar
10. Leakage (A, B – T)	30 cm ³ /min at 120 bar
11. Nominal flow	120 l/min (see “operating” diagram)
12. Spool stroke	±10mm L12 = ±10mm + 6 mm
13. Actuating force	< 300 N in spool axis direction

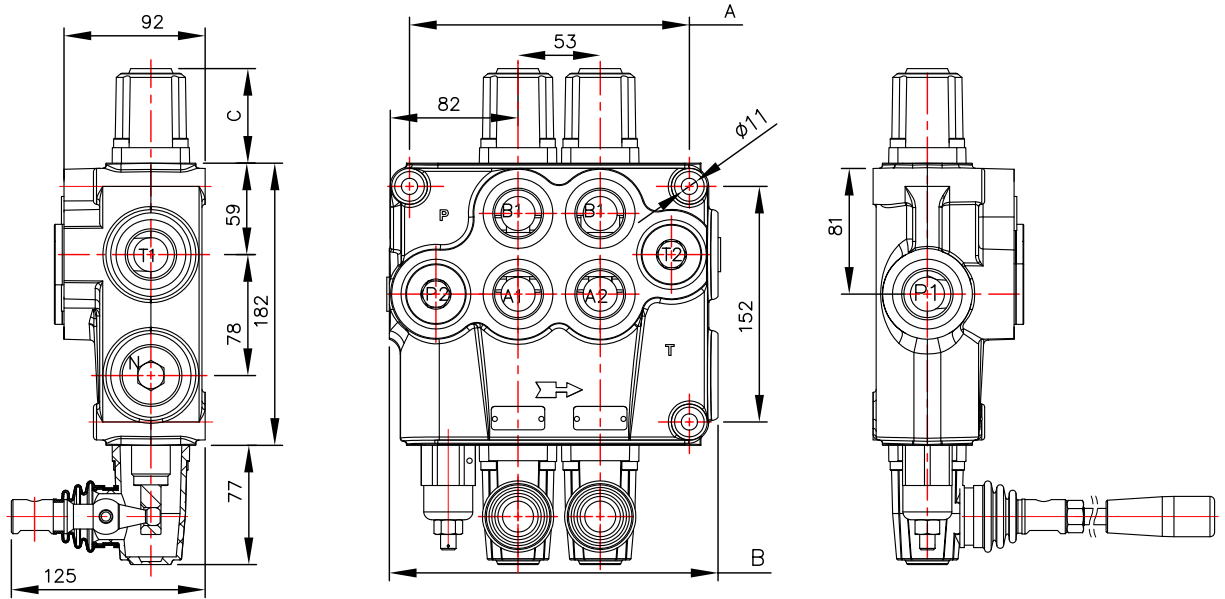


Table 1

	A	B	P1	P2	T1	T2
P120	129	160	+	+	+	+
02P120	182	213	+	+	+	+
03P120	235	266	+	+	+	+
04P120	288	319	+	+	+	+

Table 2

spool control фиксация золотника	C
1; 2, 3, 4; 5; 6; 7; 8; 9; 10; 11;	64
12	74

02 P120 1 A 1 A 1 G KZ1 H E C2 11 ...
 number of spools (table 3)
 hydraulic directional control valve P120
 parallel distribution (table 4) (parallel)
 spool type—distribution (table 5)
 spool control (table 6)
 second spool distribution (table 5)
 second spool control (table 6)
 ports threads (table 9)
 lever options (table 10)
 operation features (table 8)
 electric microswitch (table 7)
 carry over center (table 11)
 connection ports in use (table 12)
 there is something else

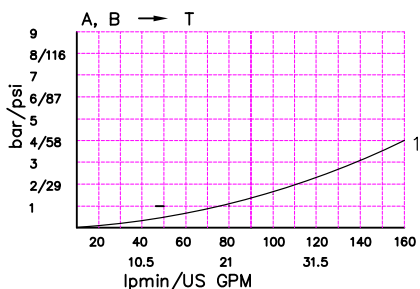
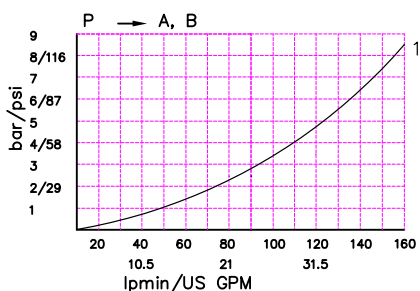
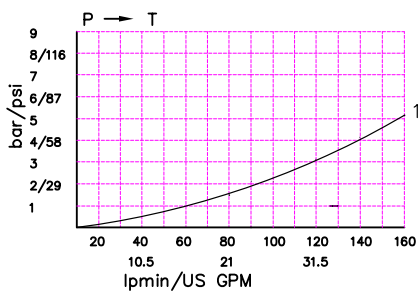
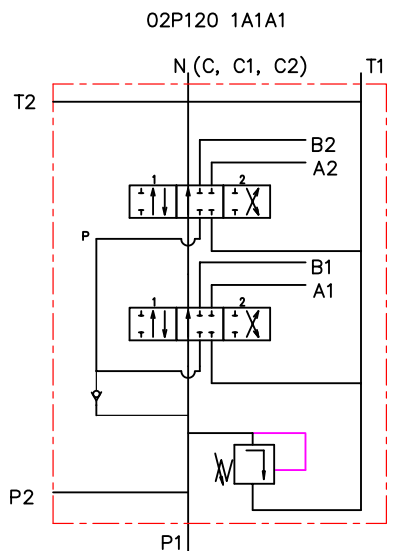


Table 3

code	Number of spools
P120	1
02P120	2

Table 4

code	way of distribution
	распределение потока
1	parallel ; параллельное

Table 5

code	spool type
A	
B	
C	
D	
E	
F	
G	
H	
M	
N	
O	
P	
Q	
R	
S	
T	

Table 6

code	spool control
1	
2	
3	
4	
5	
6	
7	
8	
9	
10	
11	

Table 7

code	с микро шалтер ; incorporated microswitch
E	<div style="display: inline-block; vertical-align: middle;"> <p>mikroswitch type Omron-V 165 I C5</p> </div>

Table 8

code	другое управление ; operation feature
P	<div style="display: inline-block; vertical-align: middle;"> <p>пневматическое on-off pneumatic control ; 5-10 bar ; ports NPTF 1/8-27</p> </div>
H	<div style="display: inline-block; vertical-align: middle;"> <p>гидравлическое on-off hydraulic control ; pn = 5 - 20 bar ; ports G1/4</p> </div>

treads for conection

Table 9

outlets/ports/	metric	BSP	SAE	
P, A, B, T	M33x2	G 1"	SAE 16	
N	M36x1.5	—	—	—

Table 10

code	with thread M12	code	with zange $\phi 12$	code	with zange $\phi 12$
KZ		KY		KI	
KZ1	with lever L=200 mm 	KY1	with lever L=200 mm 		
KZ0	rotated 180° 	KY0	rotated 180° 	KI0	rotated 180°
KZ01	with lever L=200 mm 	KY01	with lever L=200 mm 		

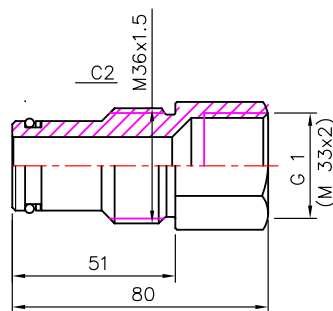
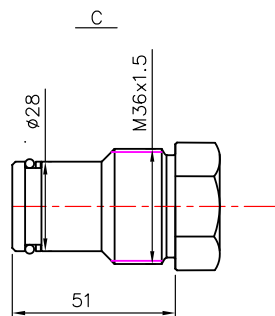
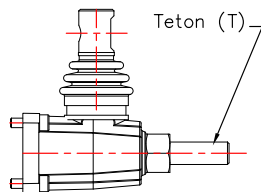


Table 11

code	metric
X	without port N
—	with port N, closed
C	with port N and plug C – closed center
C1	port N – carry over for EO
C2	port N – carry over, internal thread

Table 12

code	ports for connection in uze
11	P1 ; T1
12	P1 ; T2
21	P2 ; T1
21	P2 ; T1